



*IT Tech SA*

**Butterfly Valve Type 0F4SAP**



*Co - designed with*





# 0F4SAP Valve

**0F4SAP sanitary butterfly valves are designed for trouble free operation and easy maintenance.**

The valve design ensures optimal hygienic and functional characteristics, and eliminates recesses with hard-to-clean corners.

The **0F4** series valve is manufactured to exacting tolerances and finished to the highest pharmaceutical standards.

- **0F4SAP** valve , can be made in different metallic materials ( S.S. 316L , Halloy HC Titanium etc. ) and is also available in Stainless steel PTFE lined ( FDA approved and/or Atex compliant ) .

## **General design data**

- The valves can be supplied ATEX compliant ( made in S.S. 316L + Gualflon EXD )
- Available sizes: DN50, 80, 100, 150, 200 , 250 , 300 (TC2", 3", 4", 6", 8", 10", 12")
- End connections: TC standard or customised connections.
- The valve can be supplied either manually operated or with a full range of automation options.
- Gasket : VMQ ( Platinic silicone rubber ), FFKM Kaflon ® 72B , VMQ + PTFE TFM®

## **GENERAL INFORMATION**

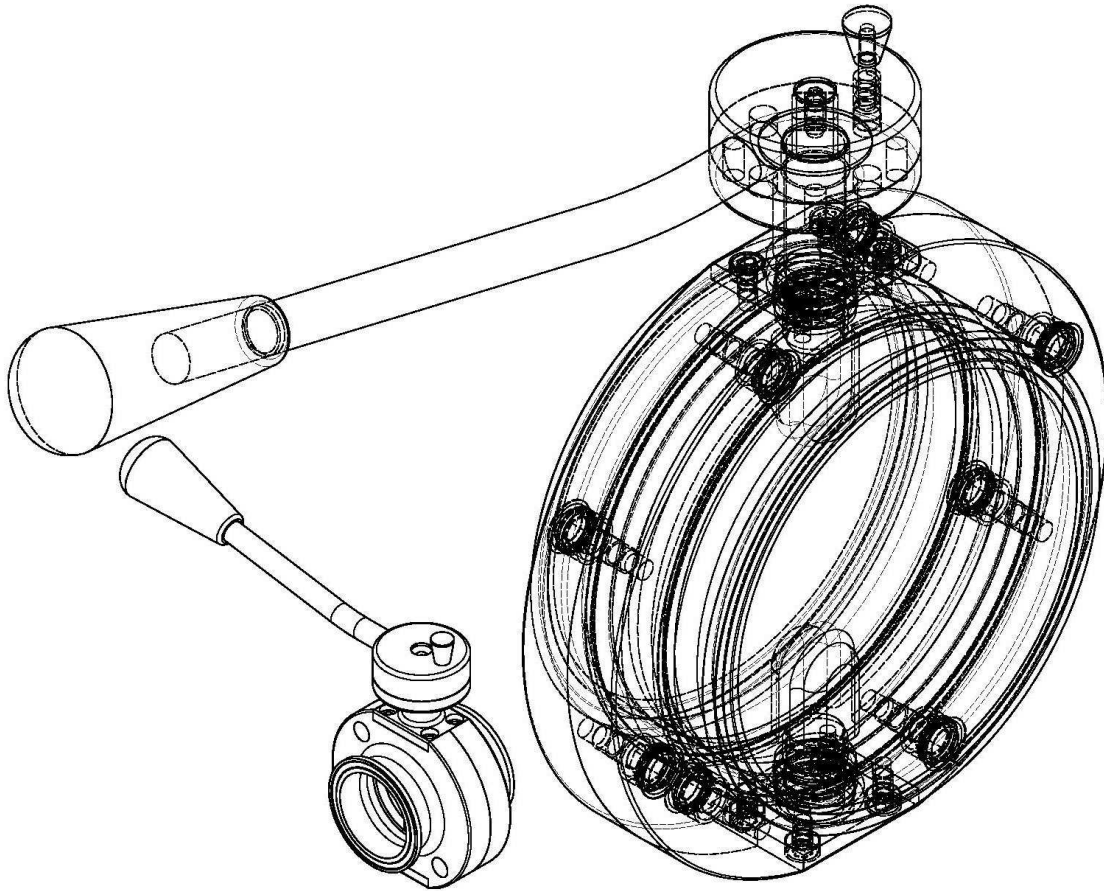
*Before installation or maintenance, cut off the pipeline after and before the valve; be sure there is no pressure inside, vacuum or dangerous and/or corrosive products.*

*Never overtake the maximum pressure and the temperature limits indicated on the equipment mark.*

*Don't modify the product. Every tampering could make the product dangerous.*

*Constructor does not respond about a wrong product applications. Installation and maintenance must be done by qualified staff.*

*This product destination is suitable only for the use it has been planned. Every different application may be potentially dangerous. Anyway the constructor is not responsible about damages coming from not correct applications.*



## **MAINTENANCE**

*This type of valve needs maintenance.*

*In the event of any damage to the gasket or other sealing elements beyond repair, to provide qualified personnel to contact IT Tech .*

## **GENERAL INSTRUCTIONS**

*Before dispatch the surfaces of the seals are cleaned and degreased with suitable solvent.*

*Before installing the valve, clean the pipe from dirt or other foreign bodies in order to avoid damaging the sealing seat. Make sure that pipes are not in tension, in presence of stray currents is to install the valve in antistatic.*

*Do not use the valve as a lever to flood the clamp, this could lead to damage to the site during the installation or operation.*

*When installing a new system, use the valve as a spacer.*

*On the butterfly valve is a label that lists the information needed to identify the product and the operating conditions.*

## **STORAGE**

*If the valves are not installed in a short time, it's recommended to storage them in a guard and in a clean and dry places.*

*The type of packaging helps to make the storage easy. If the valve is stored for a long time waiting for the using, in store or on the pipeline, it's recommended to leave the disc not perfectly closed, and to apply on the seats a suitable lubricant (silicone greases).*

## **DESIGN DATA**

### **0F4SAN ( Metallic body )**

*Design pressure : -1 / +6 barg*

*Design temperature : - 20 / 180°C ( VMQ Gasket )*

*Design temperature : - 20 / 200°C ( VMQ + PTFE TFM® Gasket )*

*Design temperature : - 10 / 250°C ( FFKM Kaflon® 72B Gasket )*

### **0F4SAN ( PTFE / Guaflon® EXD lined body )**

*Design pressure : -1 / +6 barg*

*Design temperature : - 20 / 200°C ( VMQ + PTFE TFM® Gasket )*

*Kaflon® and Guaflon® are registered trade marks of GMI ; PTFE TFM® is a registered trade mark of 3M Dyneon*



**IT TECH SA - Via Cantonale - CH - 6707 Iragna - Biasca**  
**Tel. +41 (0)91 – 8809010 – Fax +41 (0)91 – 8809012 – mail : info@ptfe.ch**